

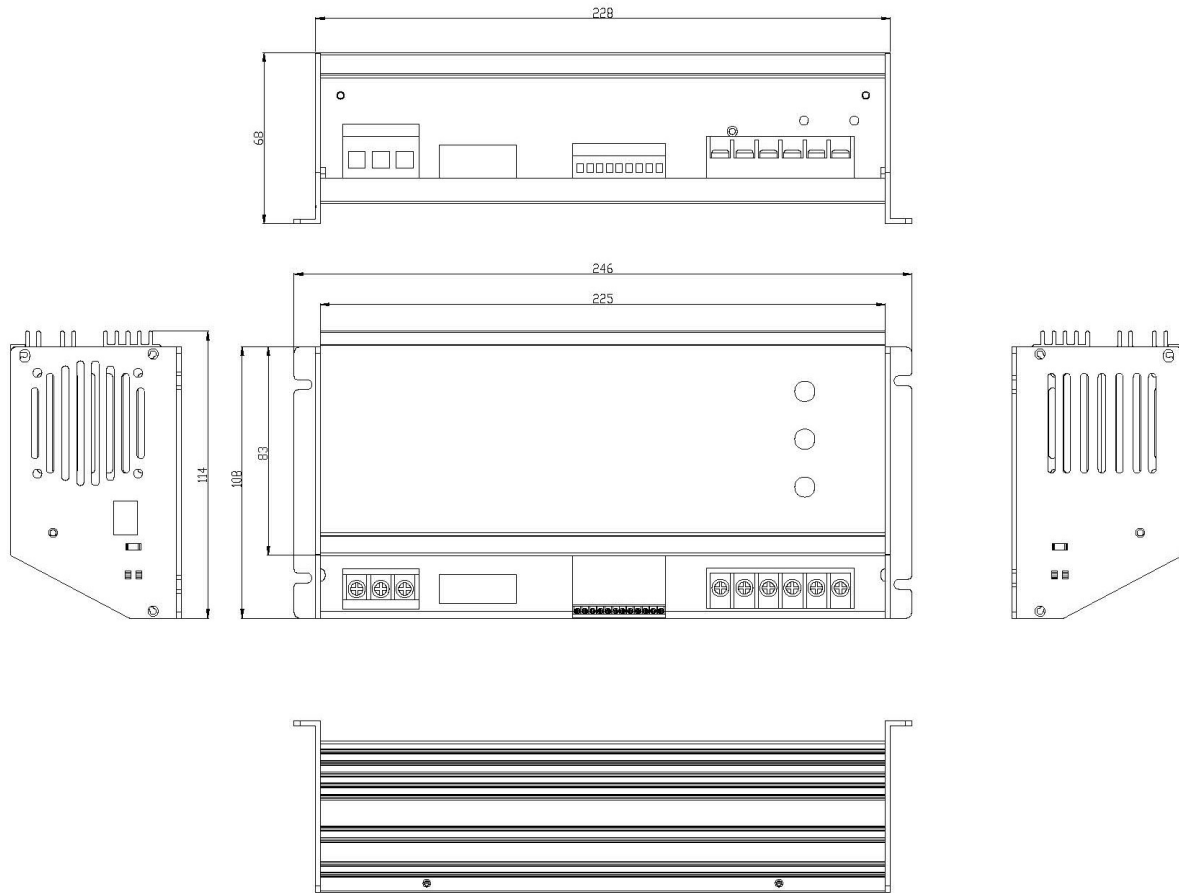
## Key Features:

- 150W, 300W Output Power
- Universal AC Input (AC100 – 240V)
- Intelligent Cooling Fan (speed control)
- Built-in Charger for Battery Backup
- Relay Switch for Fault Condition Reporting
- Fully Input and Output Protections
- Status LED Indicators

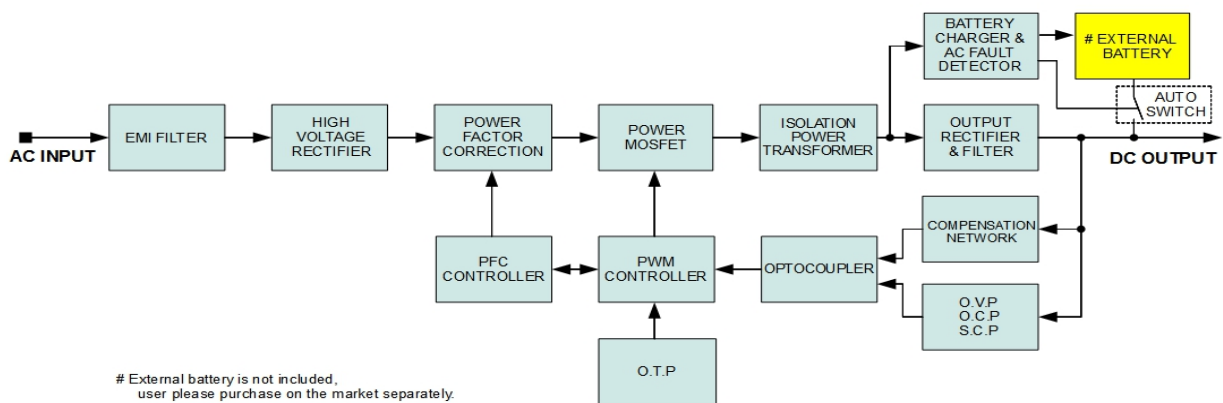


PRODUCT SPECIFICATIONS			
MODEL	PSBM-1210	PSBM-1220	PSBM-2410
<b>OUTPUT</b>			
Rated Voltage (VDC)	13.8	13.8	27.6
Voltage Range (VDC)	13.4 – 14.1	13.4 – 14.1	27.1 – 28.0
Rated Current (A)	10.0	21.0	10.5
No. of Output Port (Way)	2	2	2
Battery Charger Charging Current (A)	0.4 – 0.6 Max.		
Rated Power (W)	150 Max.	300 Max.	303 Max.
Ripple and Noise (mVp-p) <i>See Note 2.</i>	< 120		< 150
Rise Time (ms)	≈ 100 at full load		
Hold Up Time (ms)	≈ 20 at full load		
Fault Signal (AC Fault, DC Fault and Battery Fault)	Dry contact relay switch provides for user connect to external indicator or control unit		
<b>INPUT</b>			
Rated Voltage (VAC)	100 – 240		
Voltage Range (VAC)	90 – 264		
Frequency Range (Hz)	47 – 63 (nominal 50 / 60)		
Current (A)	≈ 2.5	≈ 4.5	≈ 4.5
No Load Power Consumption (W)	≈ 3.0	≈ 10.0	
Power Factor Correction	> 0.9 at full load		
Energy Efficiency (%)	≈ 80 at full load	≈ 78 at full load	≈ 80 at full load
<b>PROTECTION</b>			
AC Input	Current fuse protection		
Output Short-Circuit	Hiccup mode occur and auto-recover without damage when fault conditions are removed.		
Output Over Voltage (V)	15 – 18	15 – 18	29 – 33
Output Over Current (A)	11.0 – 15.0	22.6 – 29.0	11.6 – 15.6
Over Temperature (°C)	75 ± 5 (output shutdown, reset by recycle AC input)		
Battery Low-Voltage Shutdown (V)	9.0 – 10.5		19.0 – 21.5
<b>ENVIRONMENT SPECIFICATION</b>			
Operating Temperature Range (°C)	-20 ~ +40		
Operating Humidity (%)	5 ~ 90 RH		
Storage Temperature (°C) / Humidity (%)	-25 ~ +70 / 5 ~ 90 RH		
<b>SAFETY</b>			
Safety Standard	Compliance to CE/LVD		
Withstand Voltage	Input to Output : 3KVAC for 1 minute Input to Safety Ground : 1.5KVAC for 1 minute		
Isolation Resistance	Input to Output: >20MΩ/500VDC at 25°C/70%RH		
<b>EMC</b> <i>See Note 3.</i>			
Emission	Compliance to EN55032 Class B		
Immunity	Compliance to EN55024, EN61000-4-2,3,4,5,6,8,11		
<b>LED INDICATOR</b>			
AC	Lit when AC input normal		
DC	Lit when DC output normal and during battery backup mode		
BATT	Lit when the battery is charging		
<b>OTHERS</b>			
Dimensions (mm)	(W) 246 × (L) 114 × (H) 68		
Weight (kg)	1.1 approx.		

Outline Dimensions (mm) :



System Block Diagram:



Note:

1. These drawings and specifications are the property of Wo Hing Radio Co.,Ltd and should not be reproduced or copied, or using as the basis for the manufacture or sale of apparatus or devices without permission.
2. Peak to Peak voltage measured at 20MHz bandwidth by using a 10µF electrolytic capacitor in parallel with a 0.1µF ceramic capacitor at the point of output terminals.
3. The power supply is considered a component which will be installed into a end-equipment product. The end-equipment product should be re-confirmed that it still meets EMC directives.
4. Design and specifications are subject to change without notice.