

MKP-3120

MKP-3120 has an exclusive figure, free from traditional boring appearance, gentle but outstanding back-light effects, plus IP65 for using indoor or outdoor situation. While being good-looking, MKP-3120 include all the access control function, 99-pin codes (4-8 digit) storage, IP65 for indoor or outdoor usage, 3 LED display and audible indication, 2 programmable relay output, P.B. for door release, door monitor function and alarm signal system.



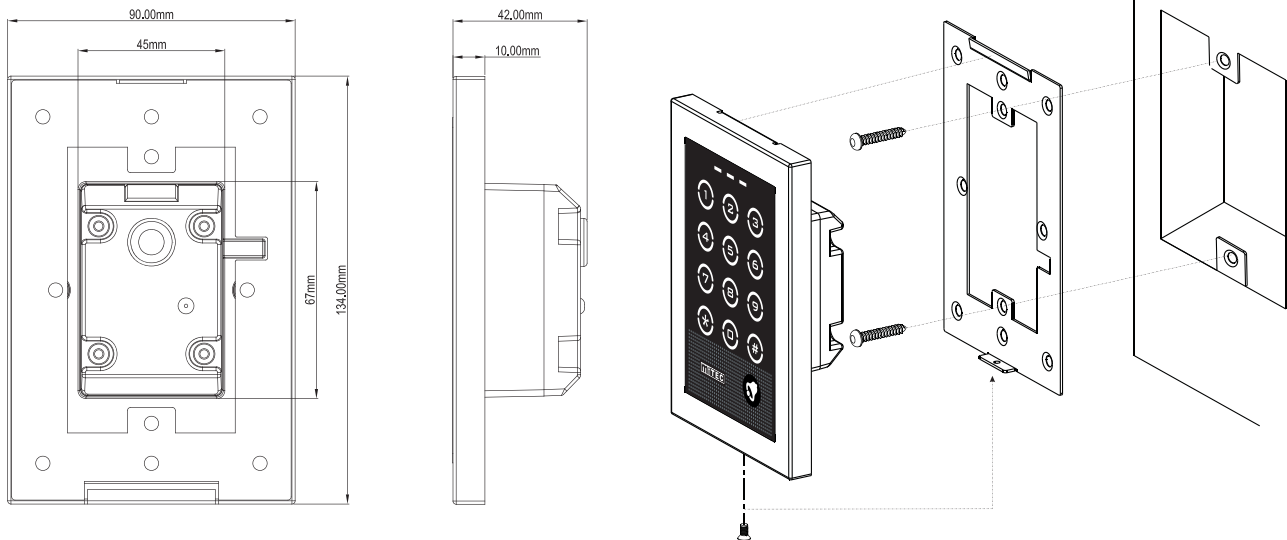
Features:

- 3 LED Display
- 99 Pin Code (4-8 Digit)
- 2 Programmable Relay Output
- Door Monitor Function
- Alarm Signal Output
- IP65
- AC/DC12-24V

ELECTRICAL CHARACTERISTICS	
Power Input	12 to 24V DC or AC, from a power supply
Maximum Input Current	110 mA at 12VDC
Standby Input Current	75 mA at 12VDC
Relay Output Loading	Max 3 Amps Normally Open or Normally Closed (Lock & Aux. Relays)
AL- Output Loading	Max. 500mA at 12 VDC
OPERATIONAL CHARACTERISTICS	
P.B. Input (REX)	Normally Open (Dry Contact) for activating the lock relay
REED Input	Normally Close (Dry Contact) for door monitoring
Pin-Codes	99 PIN Codes (4 - 8 Digit)
LED Indication	3 LEDs: Power/Program, Lock Out and Aux Out status
ENVIRONMENTAL CHARACTERISTICS	
Operating Environment	IP 65
Operating Temperature	-20°C to 60°C
Operating Humidity	0 to 95% Non-condensing
PHYSICAL CHARACTERISTICS	
Dimensions	90 (W) x 134 (H) x 10 - 42 (D) mm
Weight (Approx.)	275 g

MKP-3120

Structure Diagram



Related Product



MDR-202
Mechanical Button

- ABS Plastic Flush Mount Panel
- SPDT Micro Switch X2
- Contact Range: 1A, DC30V



MT-123
E - Lock Power Supply

- Power Input : AC220V
- DC Output : DC12V & 0.5A
- N.O. Output :12V 2A
- N.C. Output :12V 1A
- Timer : 0~20 sec



BSD-3011WG
Door & Gate Monitor

- Magnetic Contact (NC)
- 18" Armored Cable
- L Bracket Included
- Action Distance: max. 75mm
- Size: 106L x 38W x 10H mm



MDR-330 Series
LED Flash Lamp

- Ultra-Bright LED Flash Lamp
- Red/Green/Yellow/Blue Color
- Power Input: DC 12-24 V
- Size: 110W x 35H x 38D mm
- Outdoor Use (IP65)

Additional Information

Please visit our Web page for more information: www.mitec.com.hk