

MKP-6320

MKP-6320 has an aluminum housing with piezo button, which makes the keypad looks tidier and extremely easy for cleaning. Furthermore, MKP-6320 contain 2 display LED and Audible Indication to provide the security status for the users. There will contain memorization of 99 set of 4-8 Digit Pin Code. Also the squarely appearance always fit in small and tiny position under difficult circumstance.



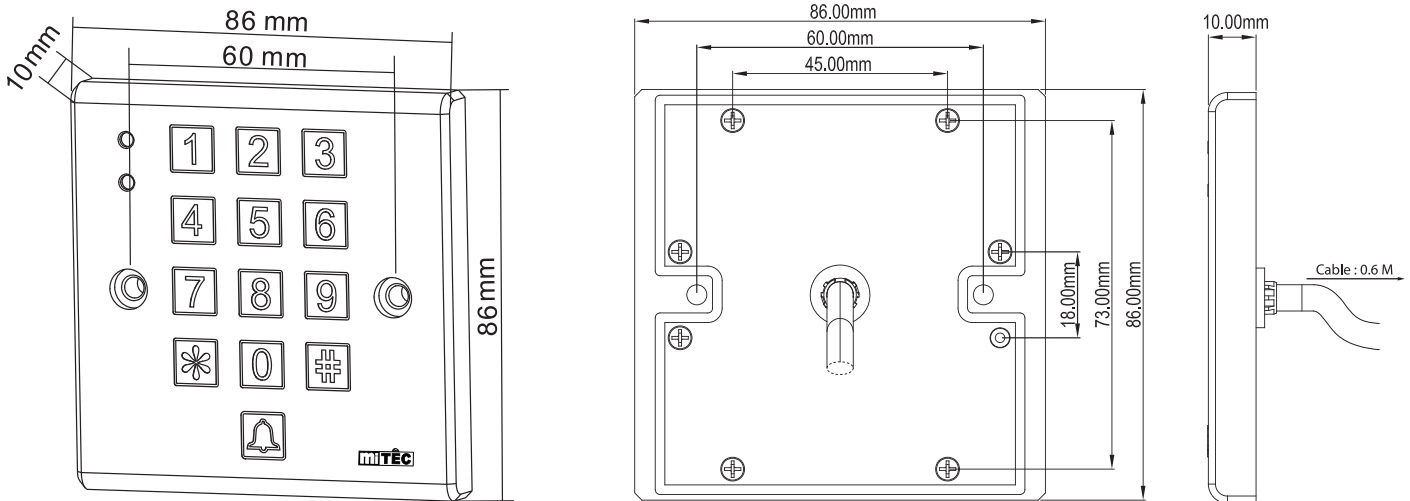
Features:

- 2 LED Display
- 99 Pin Code (4-8 Digit)
- 2 Programmable Relay Output
- Door Bell Button
- Tamper Output
- IP65

ELECTRICAL CHARACTERISTICS	
Power Input	12V DC, from a power supply
Maximum Input Current	60 mA at 12V DC
Standby Input Current	25 mA at 12V DC
Relay Output Loading	Max. 2 Amps Normally Open or Normally Closed (Lock Relay)
Tamper Output	Max. 500mA at 12V AC
OPERATIONAL CHARACTERISTICS	
P.B. Input (REX)	Normally Open (Dry Contact) for activating the lock relay
Pin-Codes	99 PIN Codes (4 - 8 Digit)
LED Indication	2 LEDs: Power/Program, Lock Out and Aux Out status
ENVIRONMENTAL CHARACTERISTICS	
Operating Environment	IP 65
Operating Temperature	-20°C to 60°C
Operating Humidity	0 to 95% Non-condensing
PHYSICAL CHARACTERISTICS	
Dimensions	86 (W) x 86 (H) x 10 (D) mm
Weight (Approx.)	135g

MKP-6320

Structure Diagram



Related Product



MSP-125T
E - Lock Power Supply

- Universal AC Input
- Regulated DC13.8V Output
- 5A current Output
- Timer : 0~30 sec



MDR-216/UK
Doom Exit Button

- SPDT Micro Switch
- ABS Plastic Panel
- With Surface Mount Box
- Back Light (DC 12V)



BR - 2072
Door & Gate Monitor

- Magnetic Contact (NC)
- 18" Armored Cable
- L Bracket
- Action Distance: max. 75mm
- Size: 77L x 25.5W x 13.5H mm



MDR-330 Series
LED Flash Lamp

- Ultra-Bright LED Flash Lamp
- Red/Green/Yellow/Blue Color
- Power Input: DC 12-24 V
- Size: 110W x 35H x 38D mm
- Outdoor Use (IP65)

Additional Information

Please visit our Web page for more information: www.mitec.com.hk